

EUsoft air™

Taking control of air flow

Efficient and optimal process control requires precise and reliable process information. This is particularly true for the air flow distribution in a thermal steam generating unit: The challenge is to achieve perfect mixing of the air and the fuel at the individual burners, as this has strong repercussions on efficiency, emissions and combustion quality. Conventional air flow measurement technology reaches its natural limits when equipping an entire boiler: Not only is it too costly to install, the maintenance burden is very high, and, above all, the readings are not as accurate and robust as required over the entire operating range.

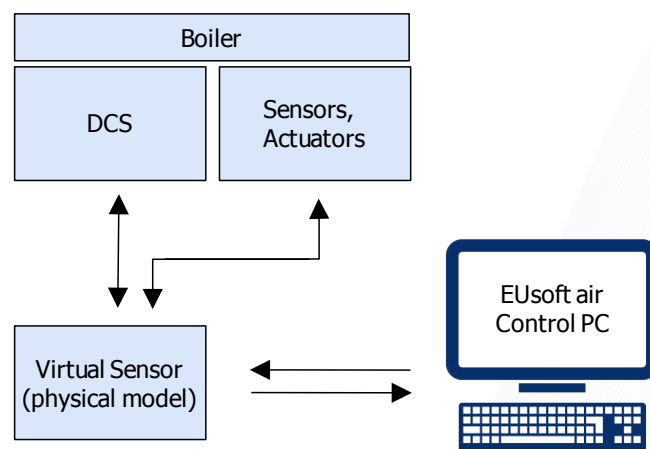
This is where EUsoft air steps in, a next generation virtual sensor. Essentially, it is a clever piece of software that continuously determines the complete air flows from readily available DCS data.

Virtualization

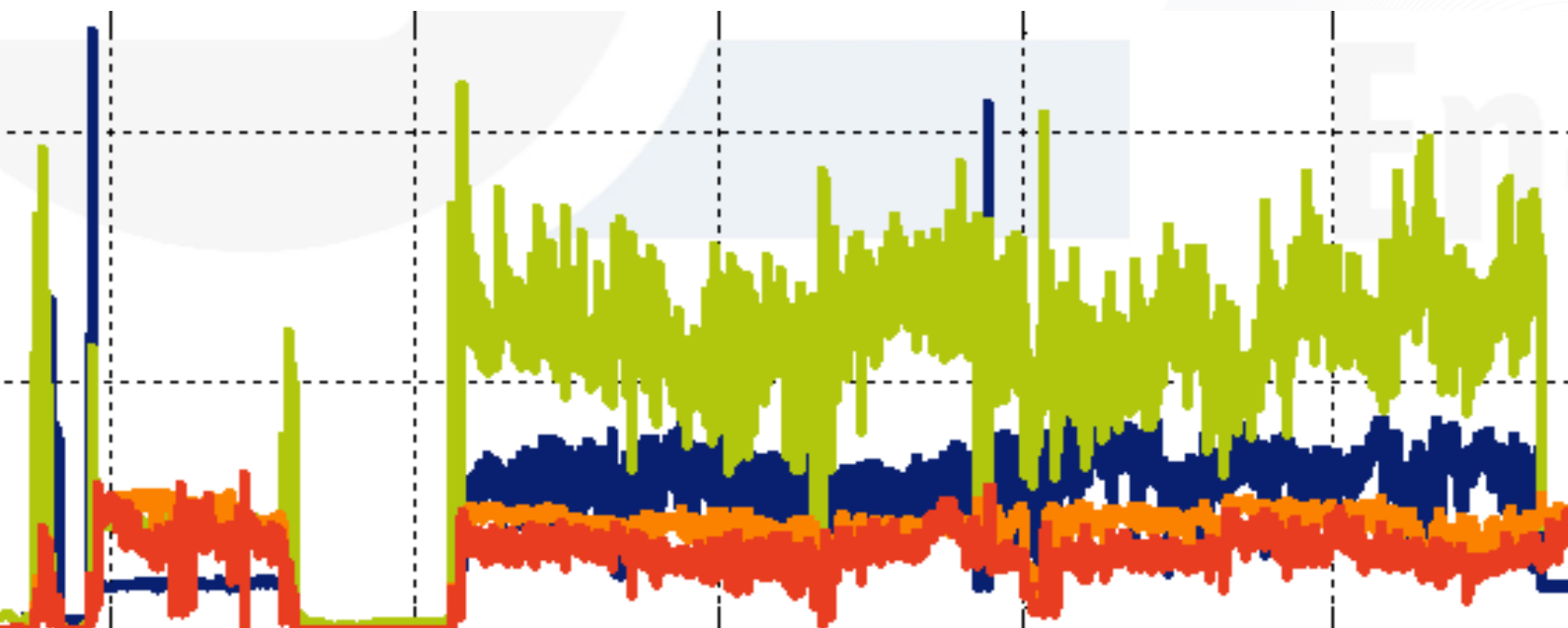
- Robust air flow measurement
- Based on physical system model
- High sensitivity and dynamics
- Leverages redundant process data
- Extends traditional measurement concepts
- Platform independent
- Seamless integration into DCS

Benefits

- Reliable *and* accurate
- Limited hardware requirements
- No maintenance necessary
- Improved combustion control
- Improvement of availability and flexibility
- Identification of faults in a very early state

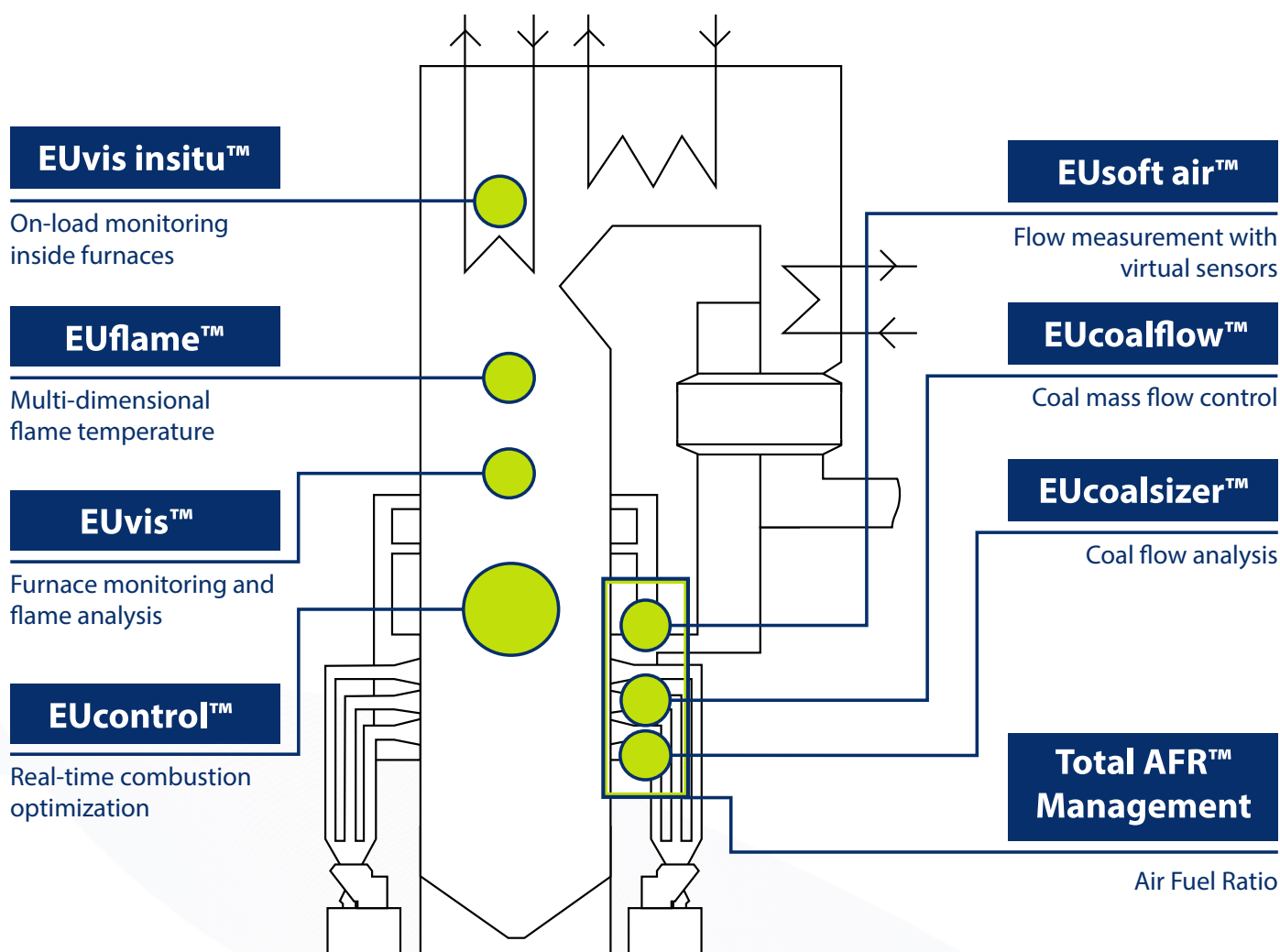


EUsoft air system set-up



EUtech Scientific Engineering GmbH

EUtech Scientific Engineering was founded in 1999. The company has established itself nationally and internationally as a successful engineering company in the areas of test stand engineering, simulation, automation and measuring technology. In addition to engineering services in all development phases, we offer turnkey test stands, software-based development tools and measurement systems for the power generation industry. With our innovative model based approach we optimize operations and increase the efficiency of power plants by stepping through the three phases: Measurement - Control - Optimization.



Contact

EUtech Scientific Engineering GmbH
 Dennewartstr. 25 - 27
 52068 Aachen, Germany
 Phone: +49 241 / 963 - 2380
 Fax: +49 241 / 963 - 2389
 Email: power@eutech.de
 Internet: www.eutech-scientific.de

