

# EUcoalflow™

## Online coal flow measurement

The air-fuel-ratio (AFR) has a strong impact on the combustion process. It influences ignition delay, combustion efficiency and Lol (loss on ignition), the emission levels as well as slagging and fouling. In order to improve combustion quality and boiler performance online reading of the coal flow in each coal pipe is required.

EUcoalflow is an online system for dynamic coal flow monitoring and balancing. It is based on non-intrusive micro-wave sensors which continuously measure the mass flow and coal velocity inside coal pipes and quantify the imbalance of coal flow from pipe to pipe.

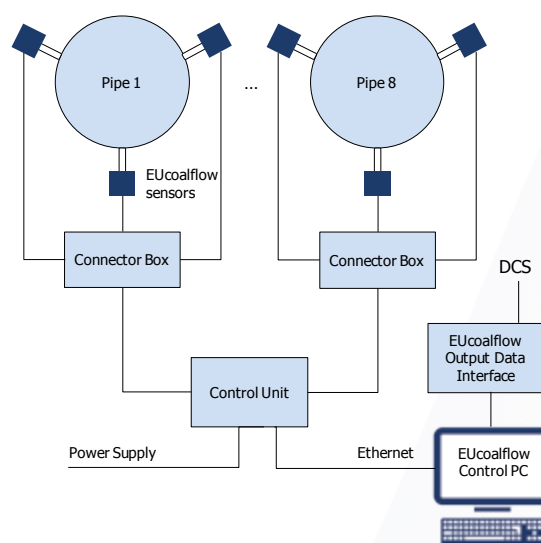
In combination with **Total AFR™ Management** EUcoalflow enables to adjust the air-fuel-ratio at burner level.

### Real-time Flow Measurement

- Reading of current mass flow situation
- High sensitivity and dynamics
- Independent of fuel type/quality
- Easily retrofitted to existing plants/ports
- Essential for combustion optimization
- Seamless integration into DCS
- EPRI tested, patented system
- Available as stationary and mobile system
- More than 1,200 installations worldwide

### Benefits

- Fuel flow balancing
- Reduction of fuel consumption
- Reduction of Lol, emissions and slagging
- Increasing efficiency
- Non-intrusive measurement
- Applicable to various solid fuels  
e.g. hard coal, biomass, lignite

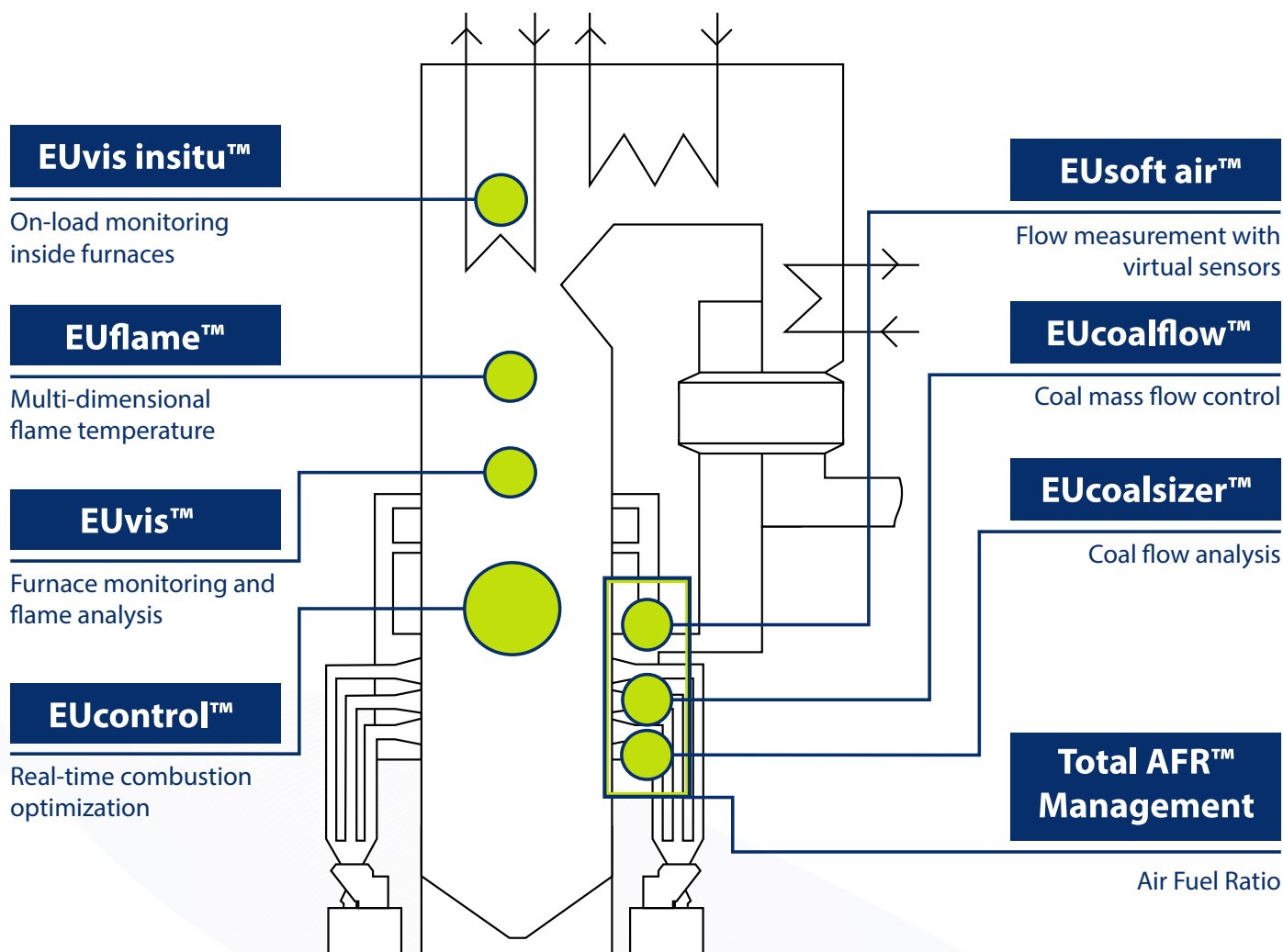


EUcoalflow system set-up



## EUtech Scientific Engineering GmbH

EUtech Scientific Engineering was founded in 1999. The company has established itself nationally and internationally as a successful engineering company in the areas of test stand engineering, simulation, automation and measuring technology. In addition to engineering services in all development phases, we offer turnkey test stands, software-based development tools and measurement systems for the power generation industry. With our innovative model based approach we optimize operations and increase the efficiency of power plants by stepping through the three phases: Measurement - Control - Optimization.



## Contact

EUtech Scientific Engineering GmbH  
 Dennewartstr. 25 - 27  
 52068 Aachen, Germany  
 Phone: +49 241 / 963 - 2380  
 Fax: +49 241 / 963 - 2389  
 Email: [power@eutech.de](mailto:power@eutech.de)  
 Internet: [www.eutech-scientific.de](http://www.eutech-scientific.de)

